



# SCHNEIDER aluminium flat pallets and their variants

Edge profile

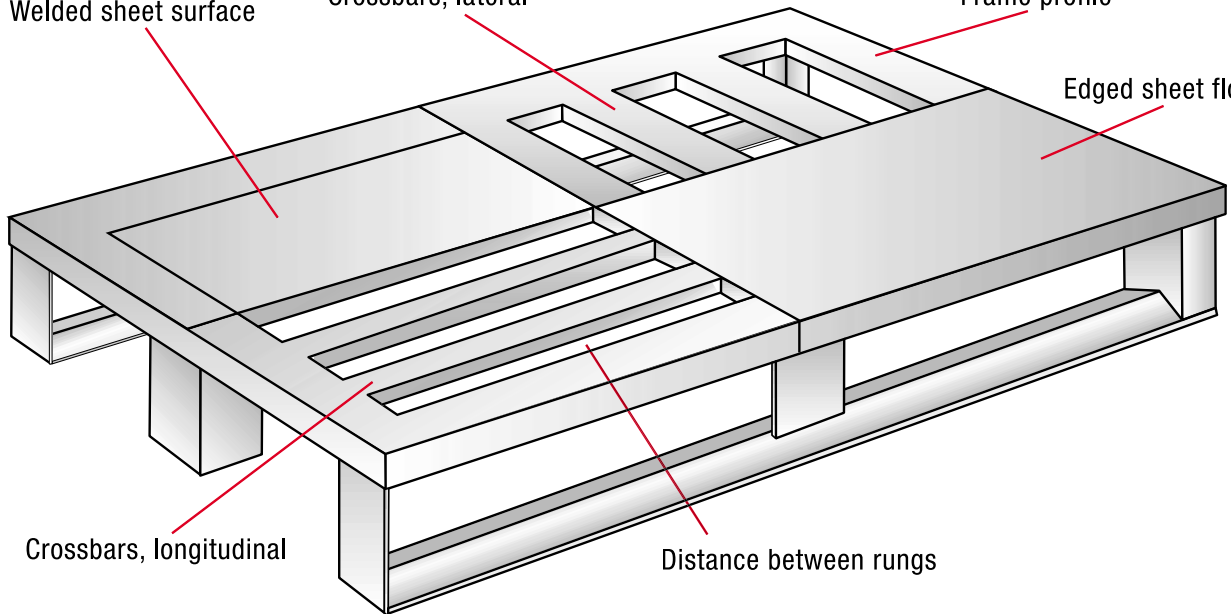


Welded sheet surface

Crossbars, lateral

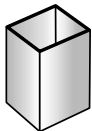
Frame profile

Edged sheet floor

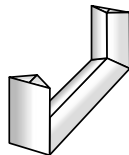


Crossbars, longitudinal

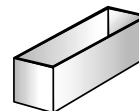
Distance between rungs



4 corner feet  
80 x 80 x 120  
80 x 80 x 100



Short skid  
length 300 mm  
width = 80, 100, 145  
height = 100, 120



4 corner feet  
length 300 mm  
width = 80  
height = 100, 120

All skids are available in widths of 80, 100 or 145 mm

